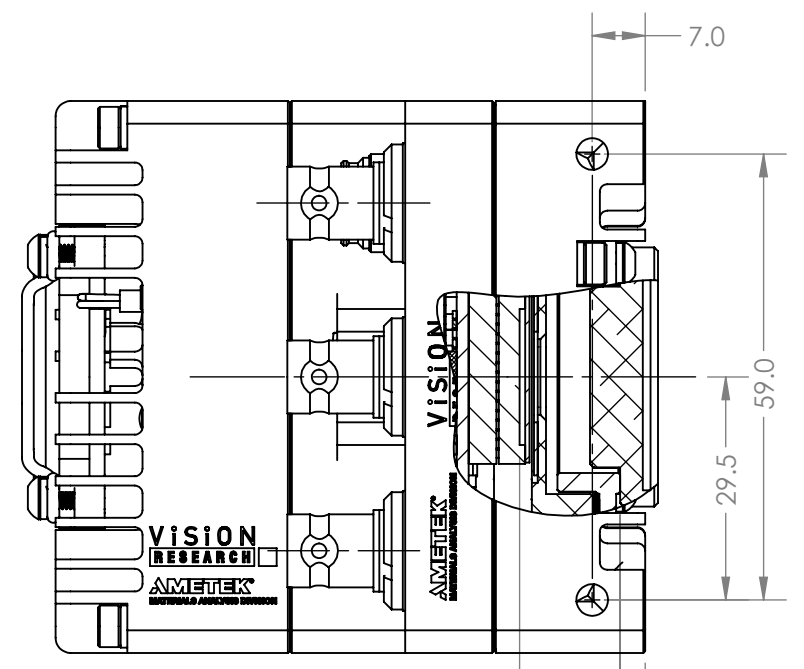
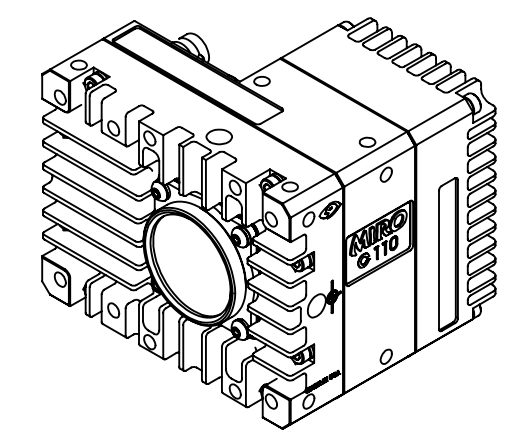
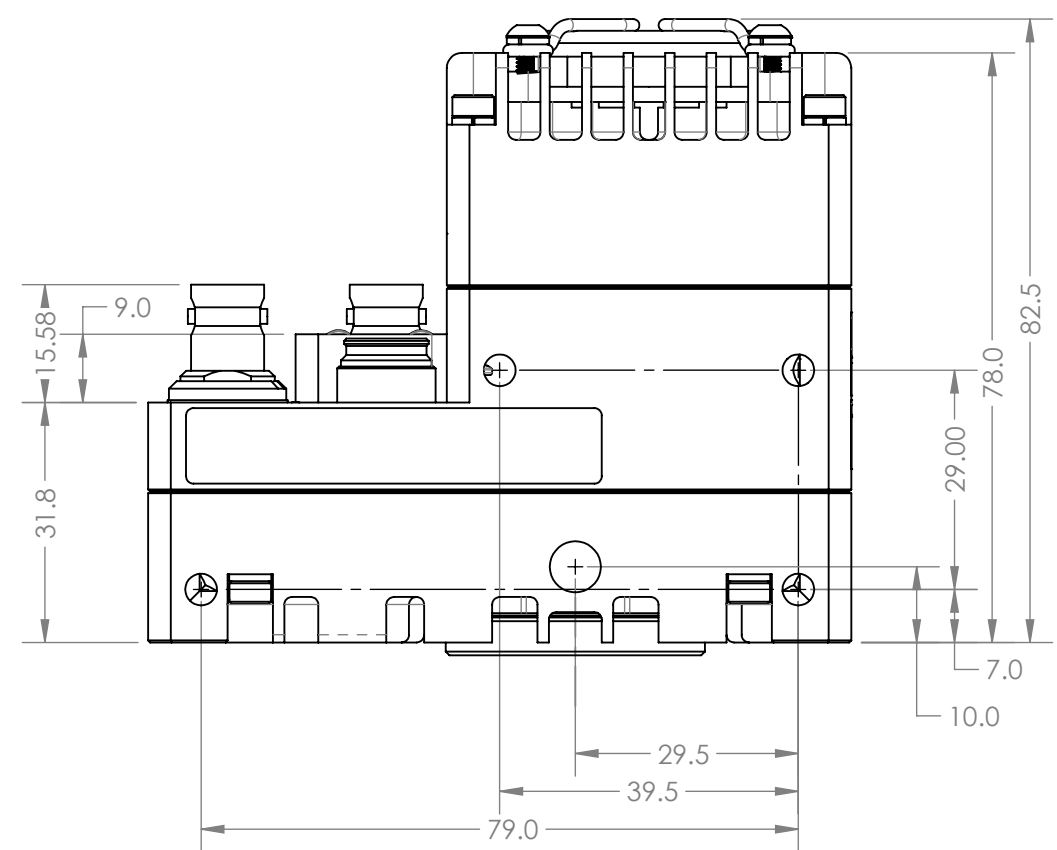
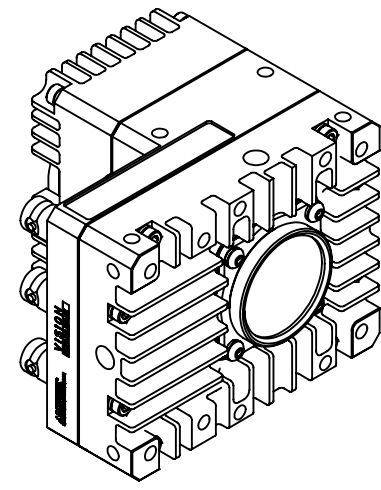
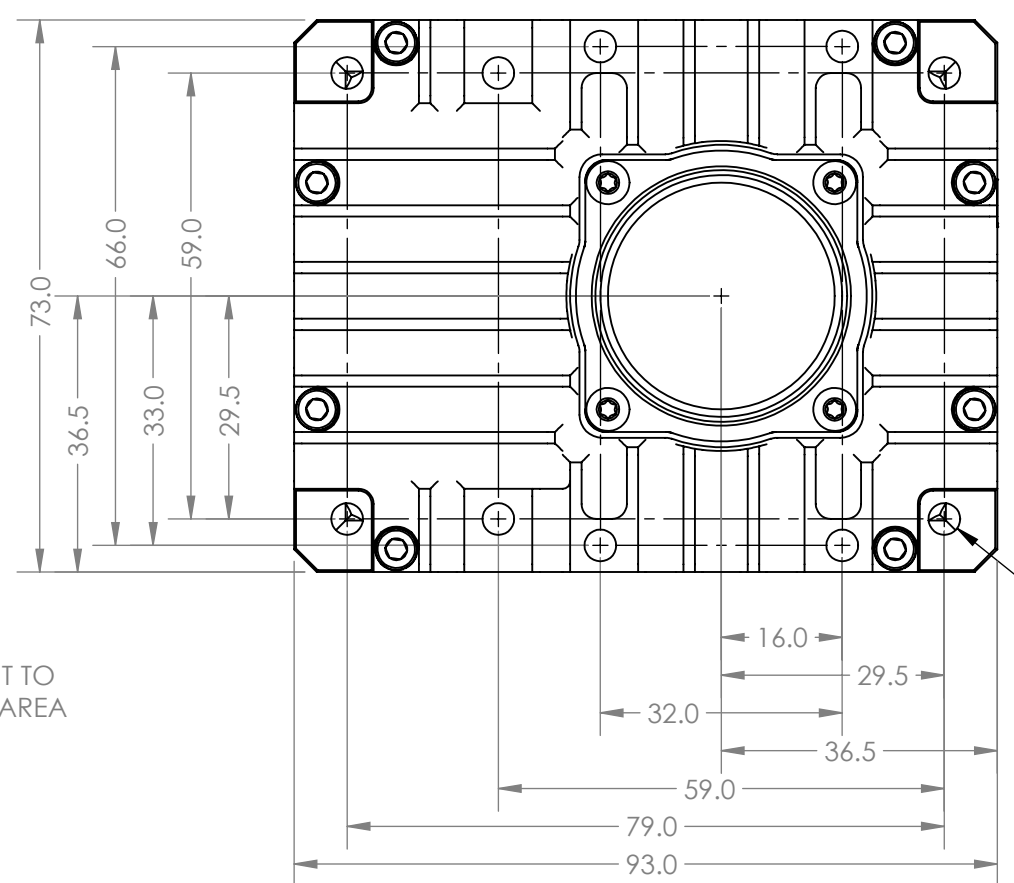


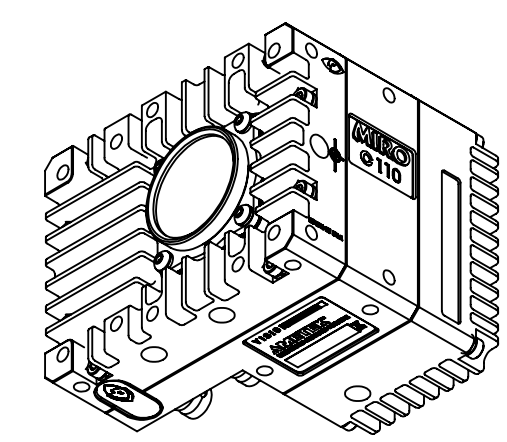
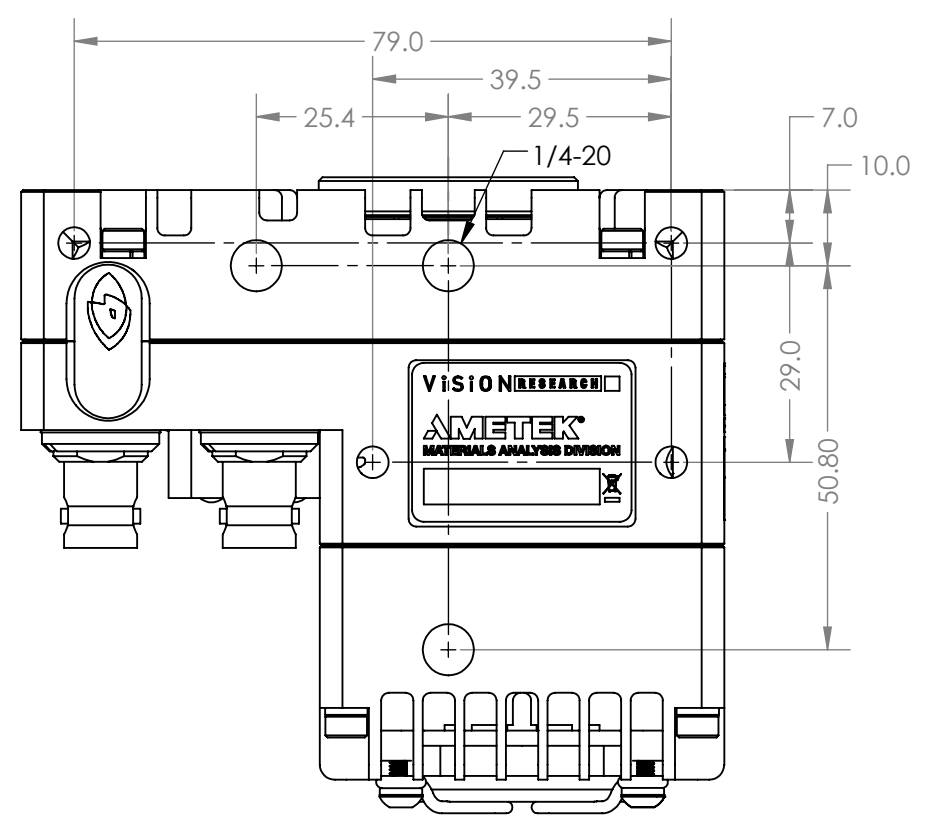
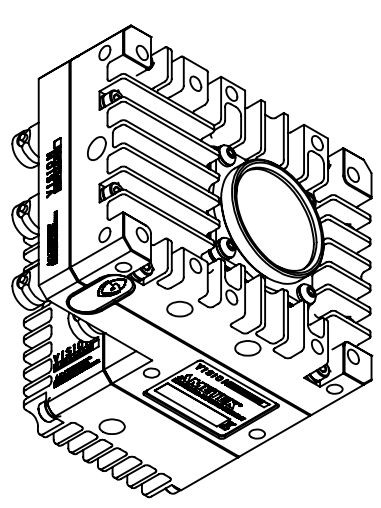
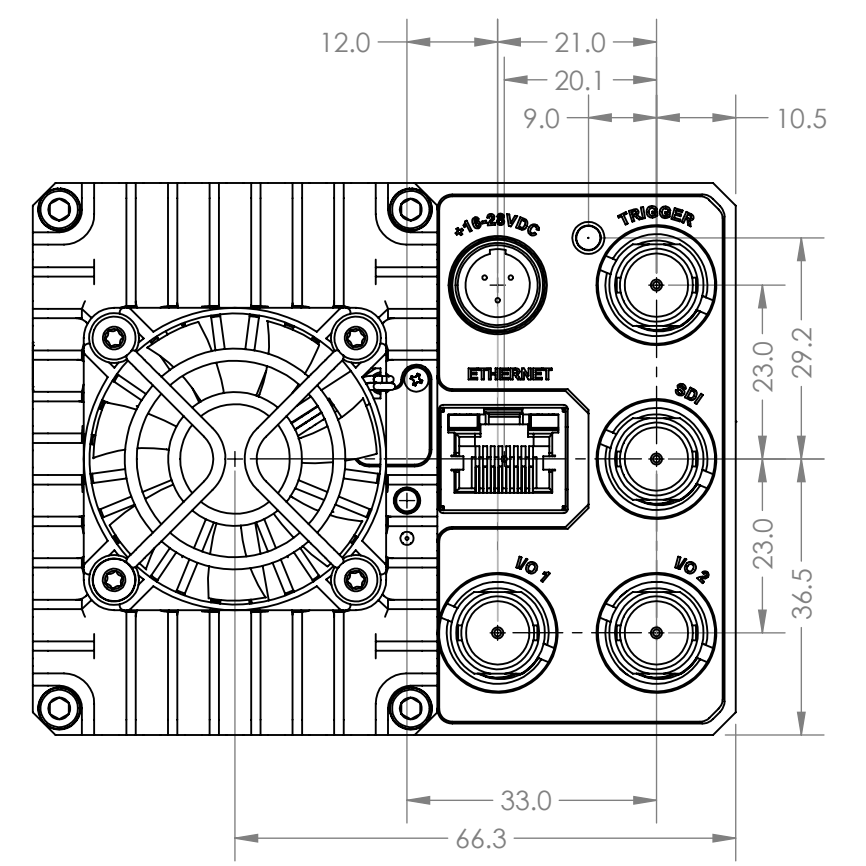
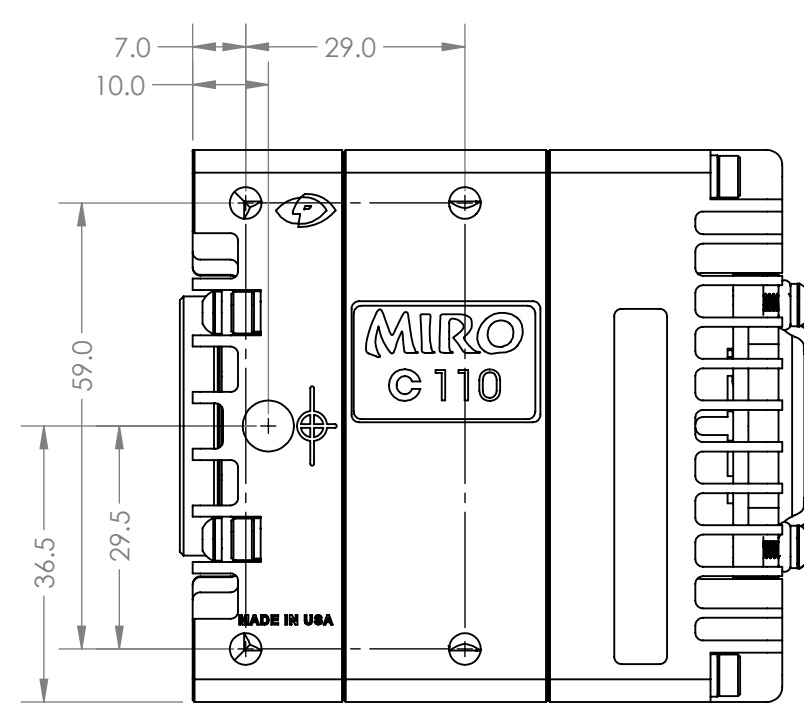
REVISIONS HISTORY			
REV.	DESCRIPTION	DRN BY	APP'D BY
0	INITIAL RELEASE	B.E.	2/16/16



13.3 LENS MOUNT TO ACTIVE SENSOR AREA



M4x0.7 TYP



PROPRIETARY AND CONFIDENTIAL
THE INFORMATION CONTAINED IN THIS DRAWING IS THE SOLE PROPERTY OF VISION RESEARCH. ANY REPRODUCTION IN PART OR AS A WHOLE WITHOUT THE WRITTEN PERMISSION OF VISION RESEARCH IS PROHIBITED.

UNLESS OTHERWISE SPECIFIED:
DIMENSIONS ARE IN MM
TOLERANCES:
FRACTIONAL: ±1/64
ANGULAR: MACH ±0.5
ONE PLACE ±0.25
TWO PLACE ±0.13
INTERPRET GEOMETRIC TOLERANCING PER:
MATERIAL
FINISH
DO NOT SCALE DRAWING

NAME	DATE
DRAWN B.E.	2/16/16
CHECKED	
ENG APPR.	
MFG APPR.	
Q.A.	

VISION RESEARCH
100 Dey Road
Wayne, New Jersey 07470 USA
973-696-4500

TITLE:
CUSTOMER DRAWING, C110

SIZE DWG. NO. REV
C ZDOC-64106-CD-0001 0

SCALE 1:1 SHEET 1 OF 1

APPLICATION	USED ON
C110	
NEXT ASSY	

