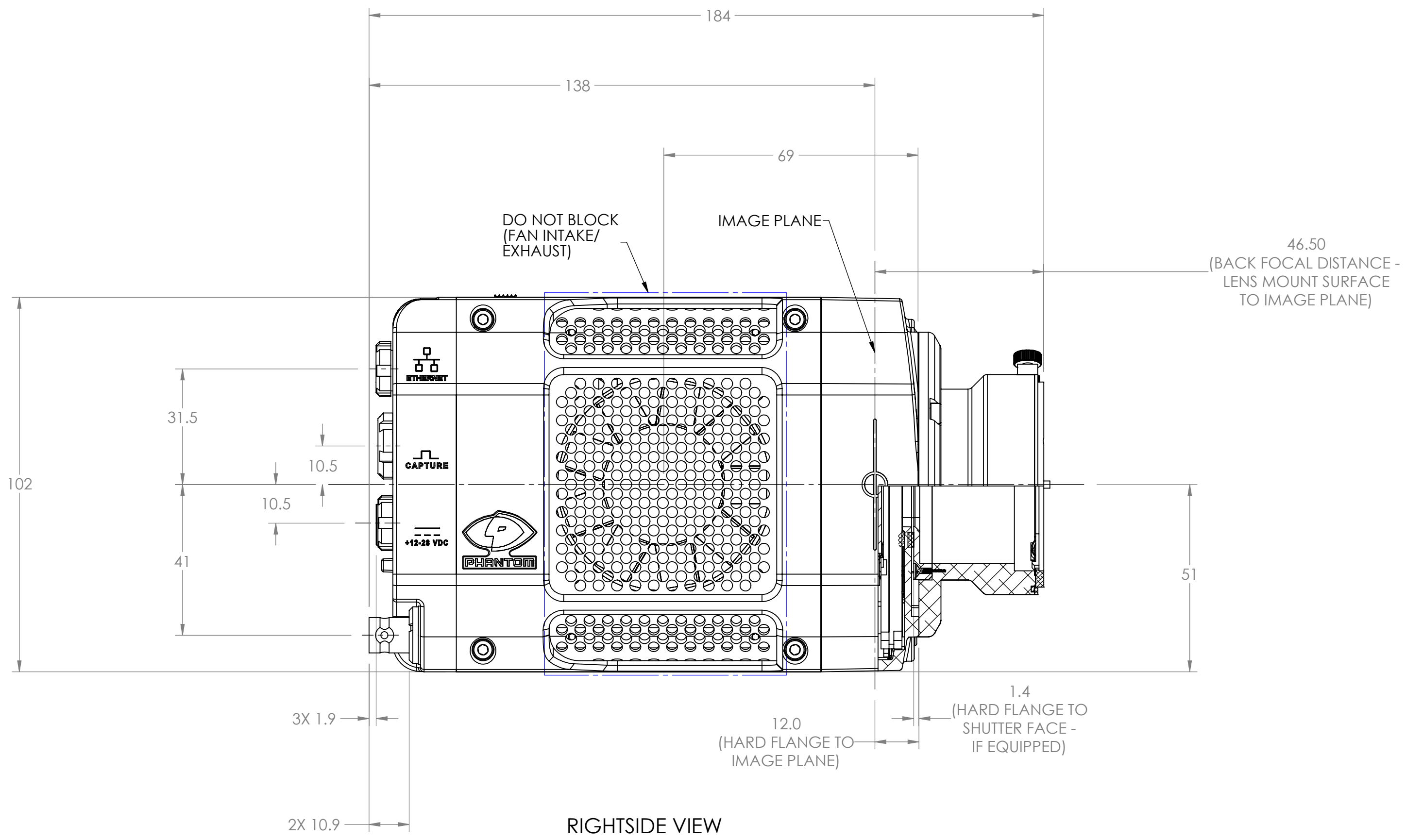


REVISIONS HISTORY			
REV.	DESCRIPTION	DRN BY	APP'D BY
0	RELEASED	WD	6/27/13

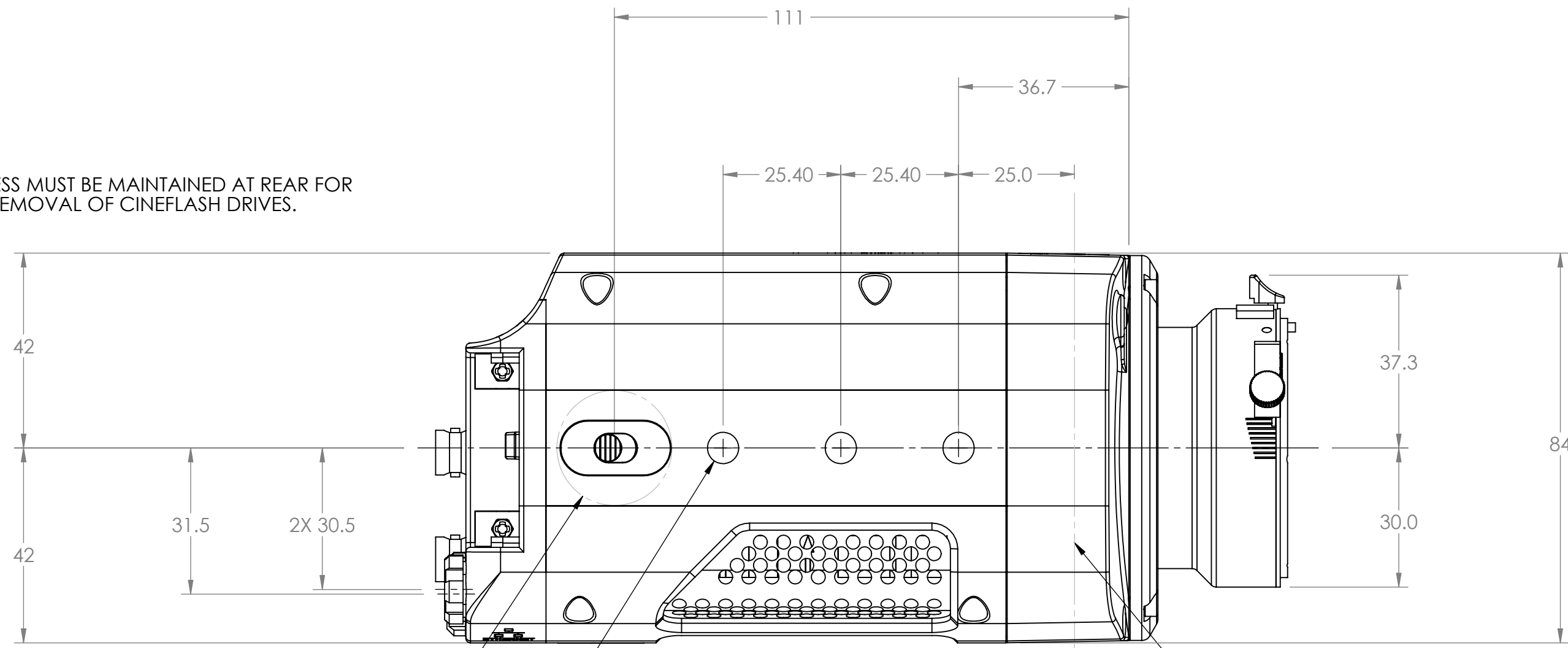


RIGHTSIDE VIEW

- NOTES:
1. R120 SHOWN ABOVE IS EQUIPPED WITH STANDARD NIKON G-MOUNT, BUT WITHOUT BATTERY OR OPTICAL LOW-PASS FILTER INSTALLED.
 2. OPTICAL LOW-PASS FILTER ASSEMBLY (AD-2MA1219), WHEN INSTALLED, ADDS APPROXIMATELY 2.0mm TO BACK FOCAL DISTANCE AND OVERALL CAMERA LENGTH.
 3. BODY CAP, WHEN INSTALLED, ADDS APPROXIMATELY 4.5mm TO OVERALL CAMERA LENGTH

PROPRIETARY AND CONFIDENTIAL THE INFORMATION CONTAINED IN THIS DRAWING IS THE SOLE PROPERTY OF VISION RESEARCH. ANY REPRODUCTION IN PART OR AS A WHOLE WITHOUT THE WRITTEN PERMISSION OF VISION RESEARCH IS PROHIBITED.	UNLESS OTHERWISE SPECIFIED:	NAME	DATE	VISION RESEARCH 100 Dey Road Wayne, New Jersey 07470 USA 973-696-4500 TITLE: CUSTOMER DRAWING, R110, R120, R310 & R320S	
	DIMENSIONS ARE IN mm	DRAWN	WRD 6/27/13		
	TOLERANCES: ANGULAR: ±0.5° ONE PLACE: ±0.25 TWO PLACE: ±0.13	CHECKED			
	INTERPRET GEOMETRIC TOLERANCES PER ASME Y14.5-2009	ENG APPR.			
	MATERIAL	MFG APPR.			
	FINISH				
NEXT ASSY	USED ON			SIZE DWG. NO. REV C ZDOC-64084-CD-0003 0	
APPLICATION	DO NOT SCALE DRAWING			SCALE 1:1 SHEET 1 OF 4	

NOTE: ACCESS MUST BE MAINTAINED AT REAR FOR INSERTION/REMOVAL OF CINEFLASH DRIVES.

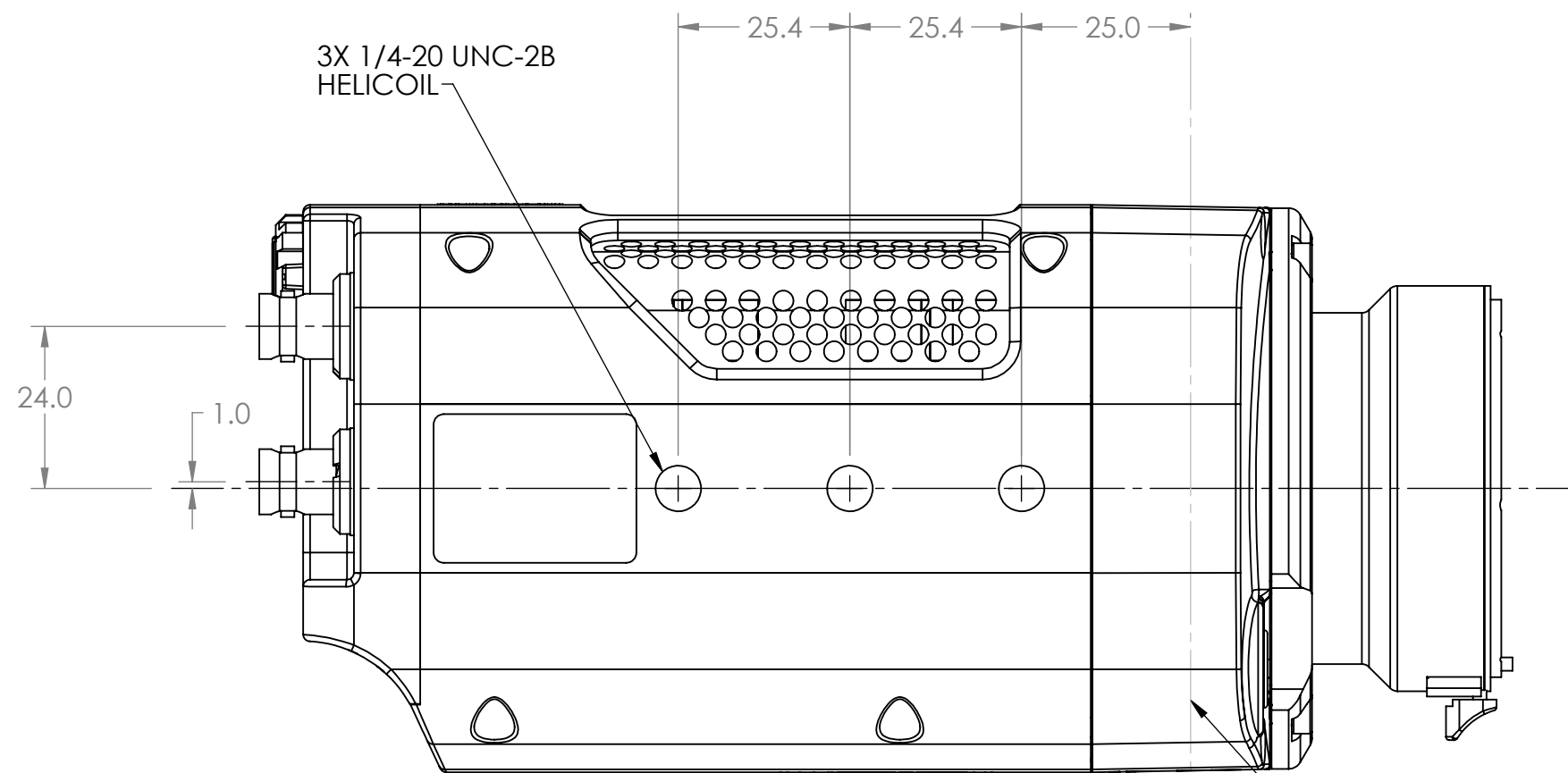


DO NOT BLOCK (BATTERY RELEASE)

TOPSIDE VIEW

IMAGE PLANE

3X 1/4-20 UNC-2B HELICOIL



3X 1/4-20 UNC-2B HELICOIL

BOTTOMSIDE VIEW

IMAGE PLANE

PROPRIETARY AND CONFIDENTIAL
 THE INFORMATION CONTAINED IN THIS DRAWING IS THE SOLE PROPERTY OF VISION RESEARCH. ANY REPRODUCTION IN PART OR AS A WHOLE WITHOUT THE WRITTEN PERMISSION OF VISION RESEARCH IS PROHIBITED.

UNLESS OTHERWISE SPECIFIED:
 DIMENSIONS ARE IN mm
 TOLERANCES:
 ANGULAR: $\pm 0.5^\circ$
 ONE PLACE: ± 0.25
 TWO PLACE: ± 0.13
 INTERPRET GEOMETRIC TOLERANCES PER ASME Y14.5-2009
 MATERIAL
 FINISH
 DO NOT SCALE DRAWING

NAME	DATE
DRAWN WRD	6/27/13
CHECKED	
ENG APPR.	
MFG APPR.	
Q.A.	

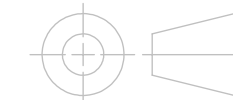
VISION RESEARCH
 100 Dey Road
 Wayne, New Jersey 07470 USA
 973-696-4500

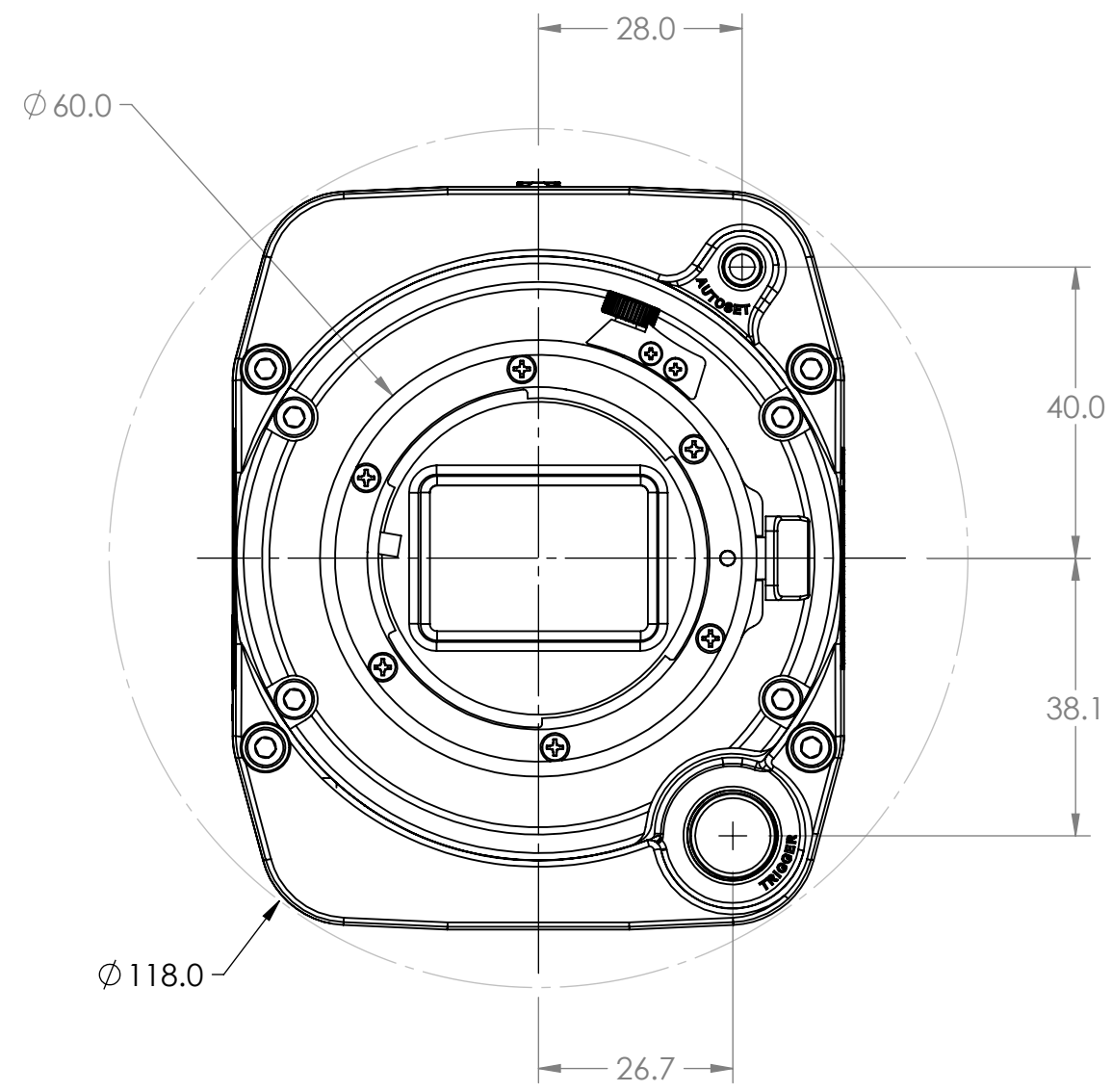
TITLE:
**CUSTOMER DRAWING,
 R110, R120, R310 & R320S**

SIZE	DWG. NO.	REV
C	ZDOC-64084-CD-0003	0

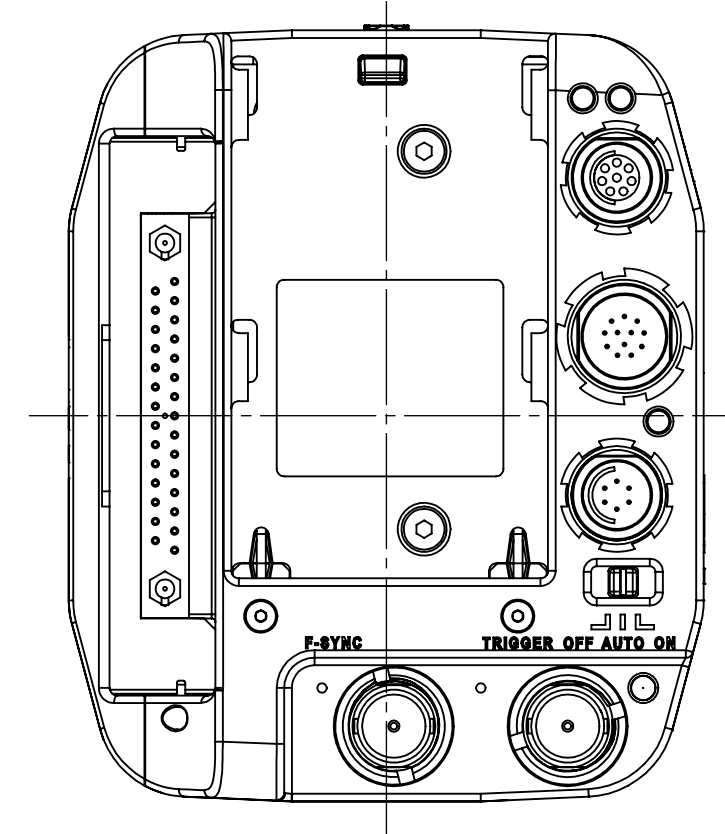
SCALE 1:1 SHEET 2 OF 4

NEXT ASSY	USED ON
APPLICATION	





FRONTSIDE VIEW



BACKSIDE VIEW

PROPRIETARY AND CONFIDENTIAL
 THE INFORMATION CONTAINED IN THIS DRAWING IS THE SOLE PROPERTY OF VISION RESEARCH. ANY REPRODUCTION IN PART OR AS A WHOLE WITHOUT THE WRITTEN PERMISSION OF VISION RESEARCH IS PROHIBITED.

UNLESS OTHERWISE SPECIFIED:

DIMENSIONS ARE IN mm
 TOLERANCES:
 ANGULAR: ±0.5°
 ONE PLACE: ±0.25
 TWO PLACE: ±0.13

INTERPRET GEOMETRIC TOLERANCES PER ASME Y14.5-2009

MATERIAL

FINISH

DO NOT SCALE DRAWING

NEXT ASSY USED ON APPLICATION

NAME	DATE
DRAWN WRD	6/27/13
CHECKED	
ENG APPR.	
MFG APPR.	

Q.A.	
------	--

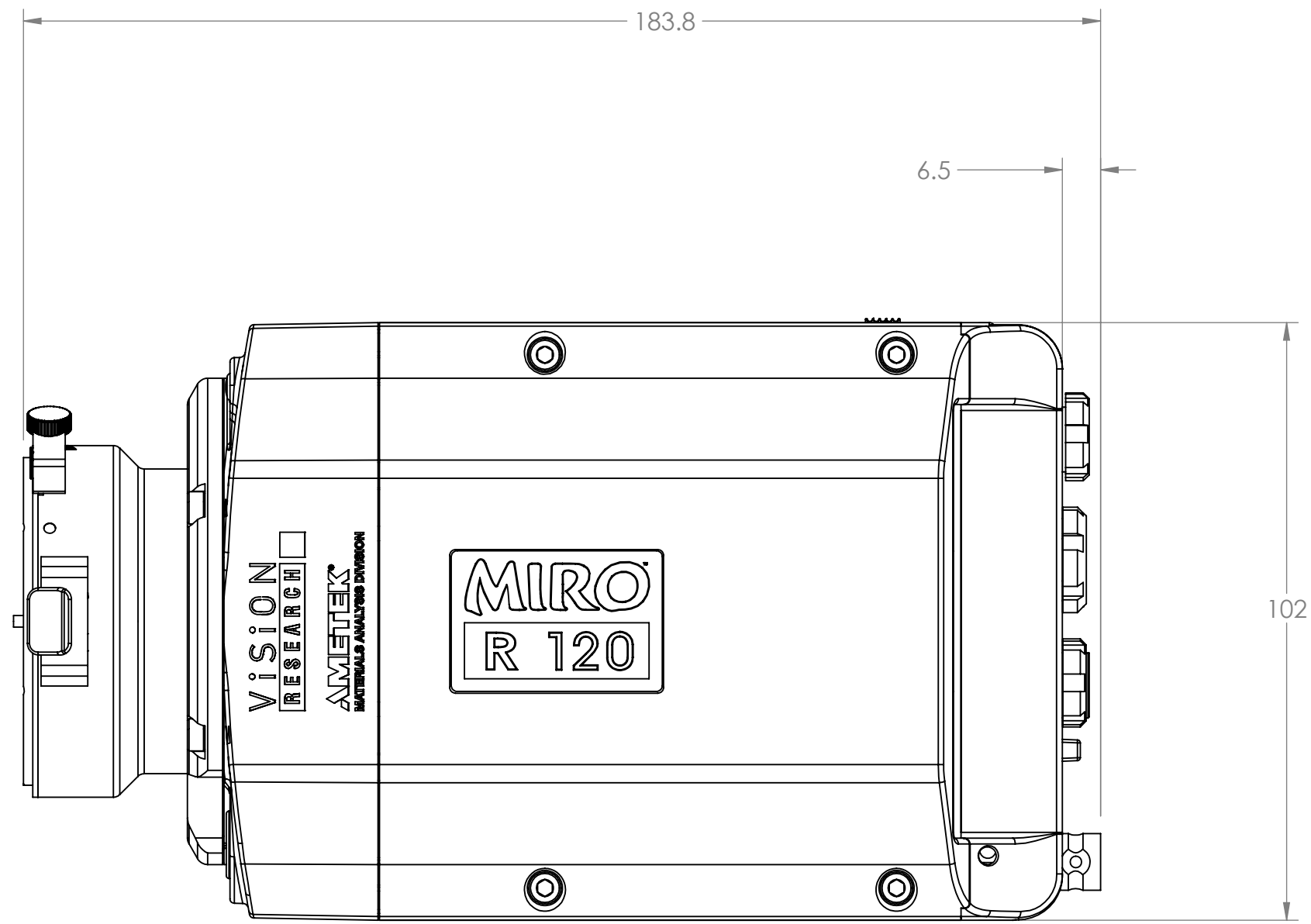


VISION RESEARCH
 100 Dey Road
 Wayne, New Jersey 07470 USA
 973-696-4500

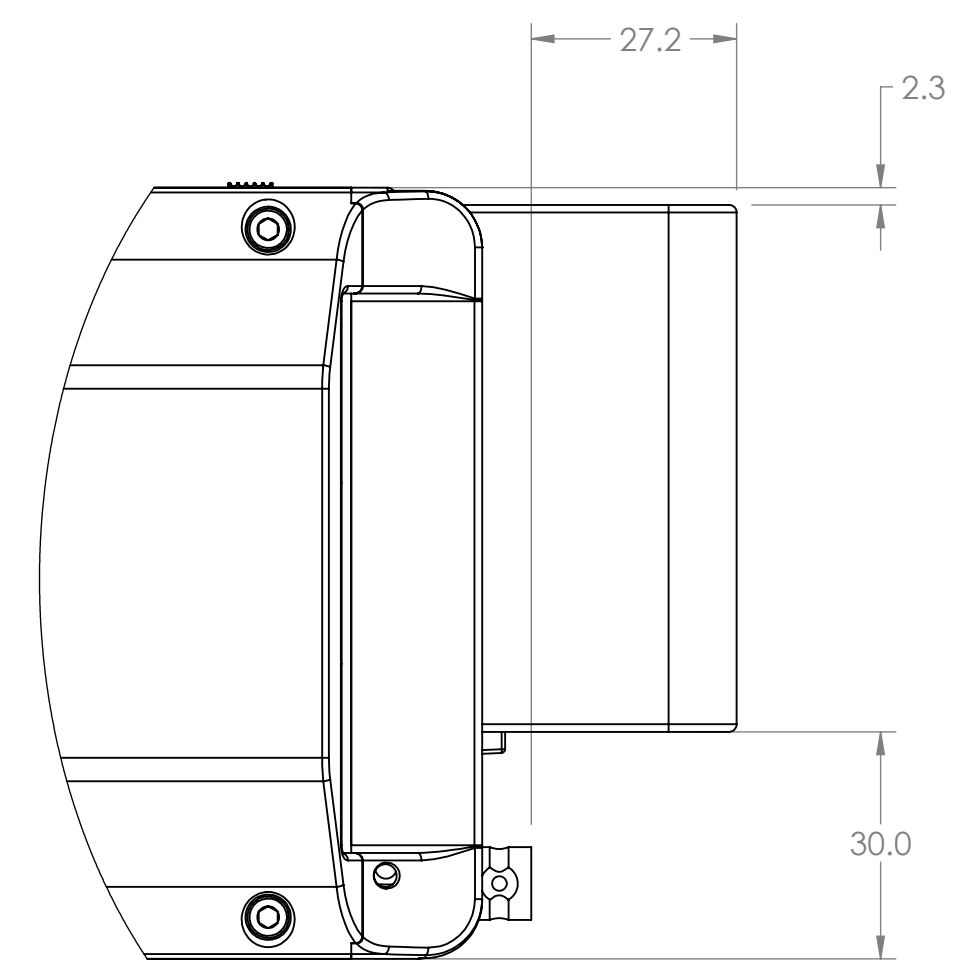
TITLE:
**CUSTOMER DRAWING,
 R110, R120, R310 & R320S**

SIZE	DWG. NO.	REV
C	ZDOC-64084-CD-0003	0

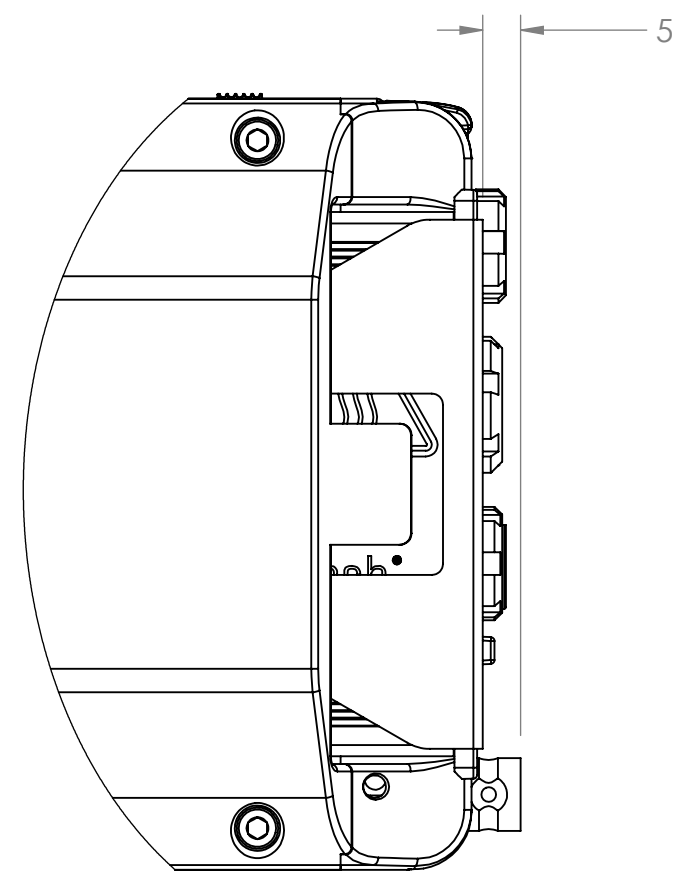
SCALE 1:1 SHEET 3 OF 4



LEFTSIDE VIEW WITHOUT BATTERY OR CINEFLASH INSTALLED



LEFTSIDE VIEW WITH BPU-30 BATTERY INSTALLED



LEFTSIDE VIEW WITH CINEFLASH INSTALLED

PROPRIETARY AND CONFIDENTIAL THE INFORMATION CONTAINED IN THIS DRAWING IS THE SOLE PROPERTY OF VISION RESEARCH. ANY REPRODUCTION IN PART OR AS A WHOLE WITHOUT THE WRITTEN PERMISSION OF VISION RESEARCH IS PROHIBITED.		UNLESS OTHERWISE SPECIFIED: DIMENSIONS ARE IN mm TOLERANCES: ANGULAR: $\pm 0.5^\circ$ ONE PLACE: ± 0.25 TWO PLACE: ± 0.13 INTERPRET GEOMETRIC TOLERANCES PER ASME Y14.5-2009 MATERIAL FINISH		NAME WRD DATE 6/27/13	VISION RESEARCH 100 Dey Road Wayne, New Jersey 07470 USA 973-696-4500 TITLE: CUSTOMER DRAWING, R110, R120, R310 & R320S SIZE DWG. NO. REV C ZDOC-64084-CD-0003 0 SCALE 1:1 SHEET 4 OF 4
NEXT ASSY	USED ON	APPLICATION	DO NOT SCALE DRAWING		